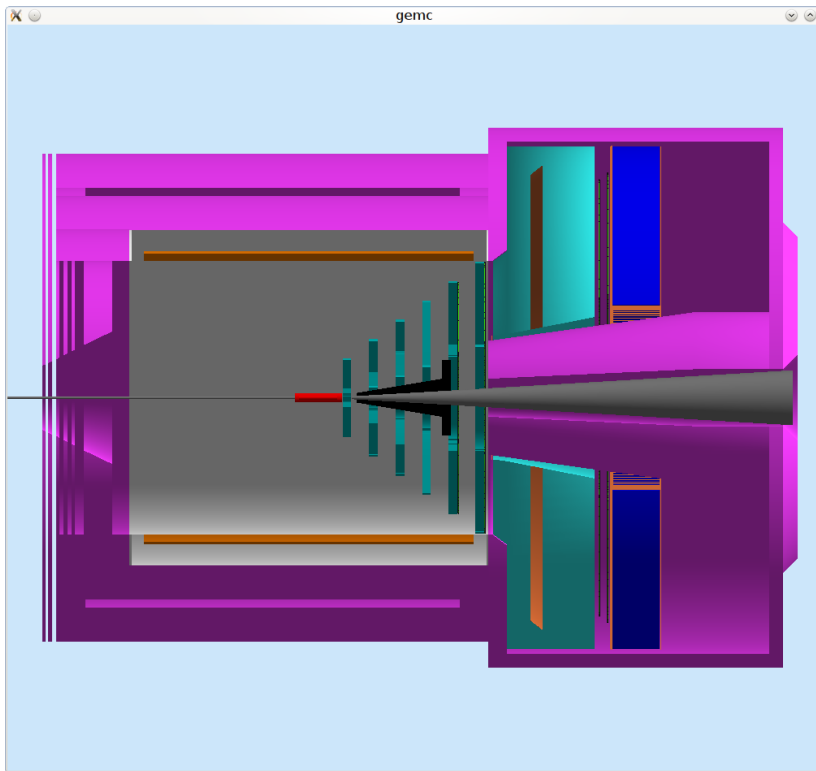


# Baffle update

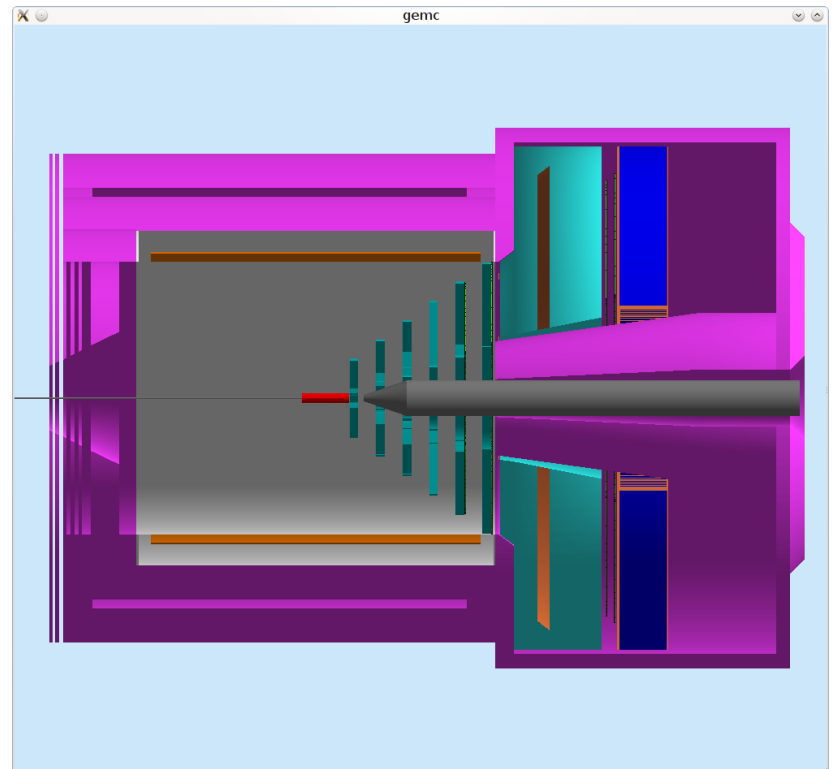
Zhiwen Zhao

2013/08/13

- Old

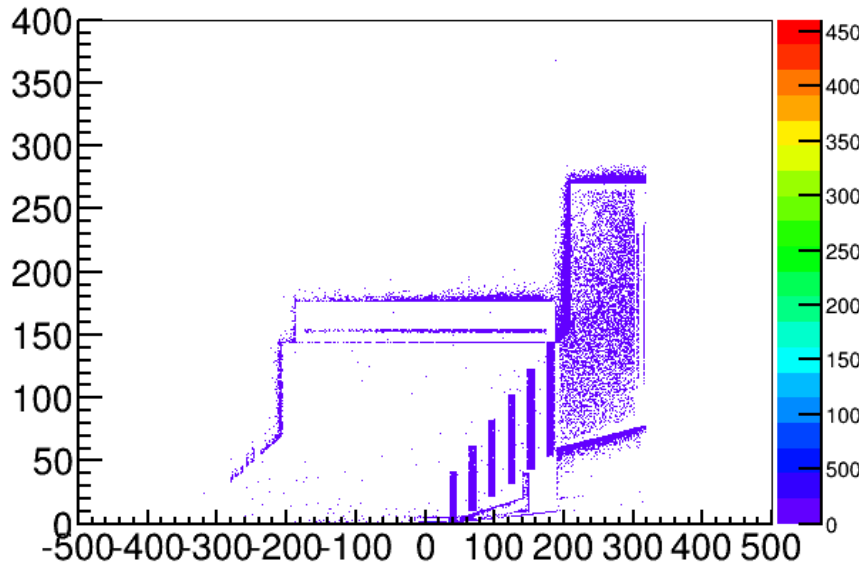


new

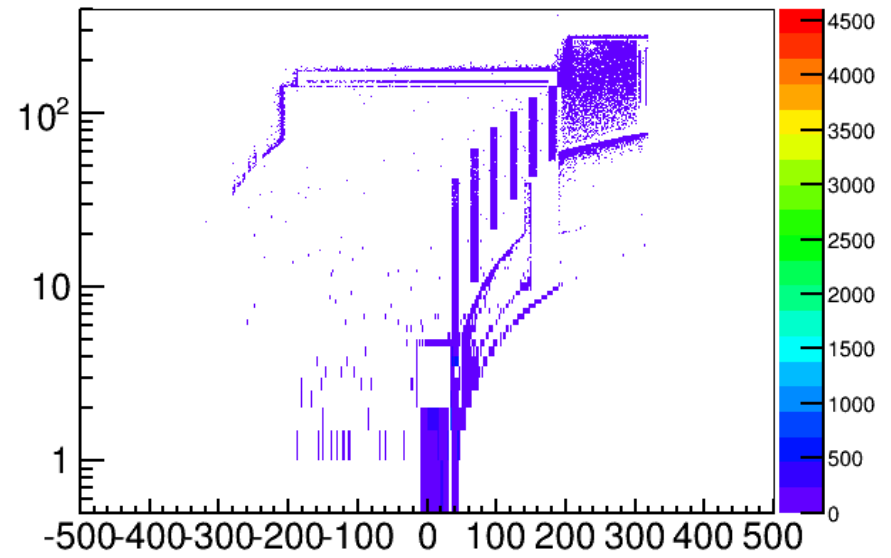


# Old 4cm inner radius

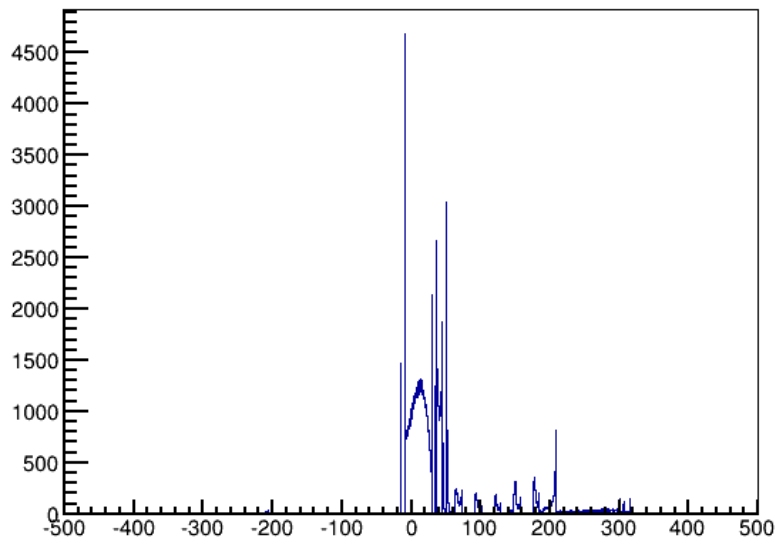
vertex\_8\_1



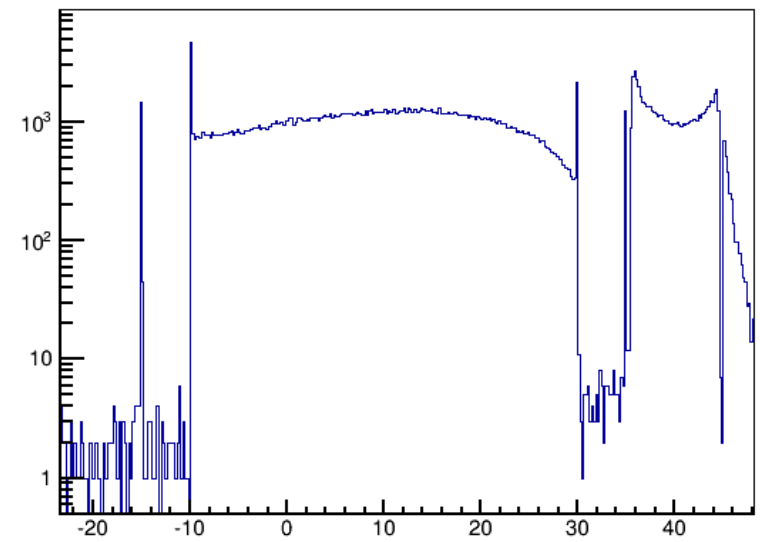
vertex\_8\_1



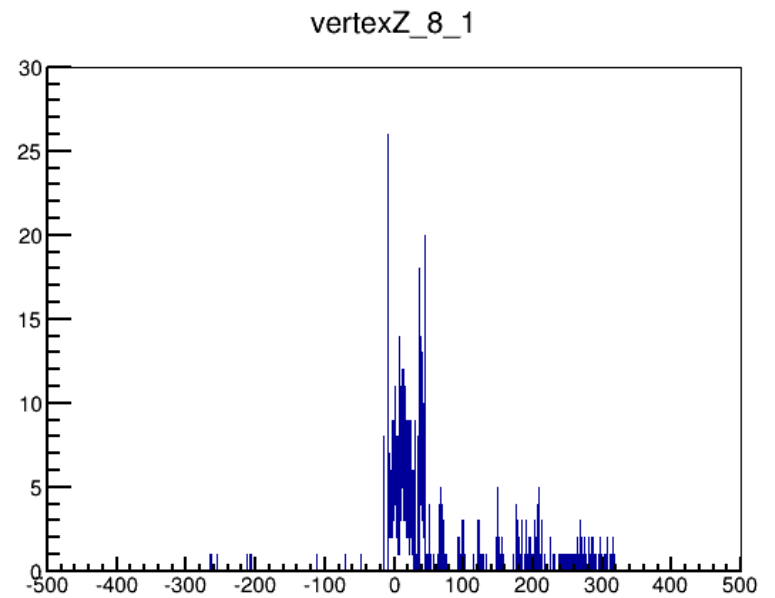
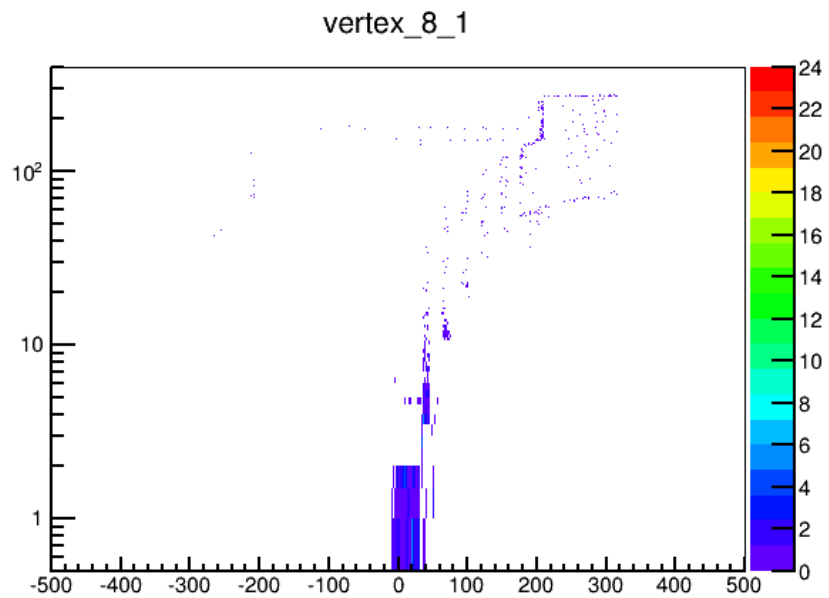
vertexZ\_8\_1



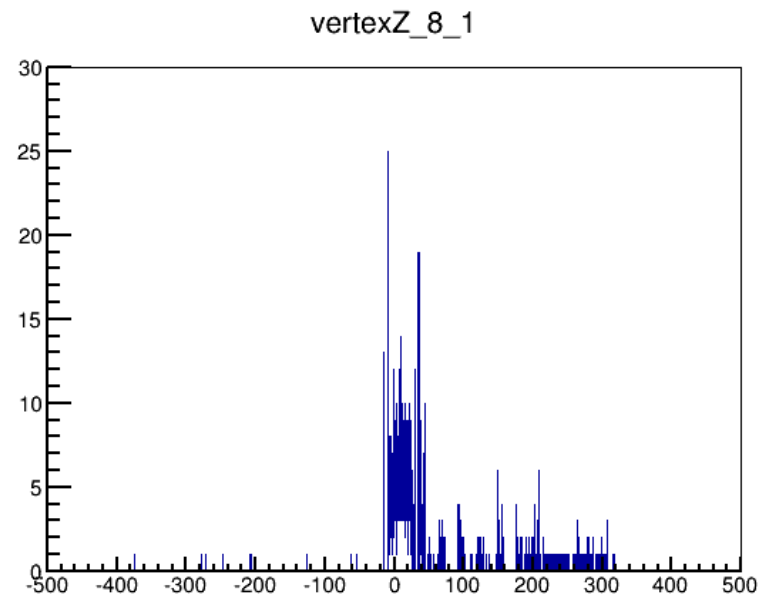
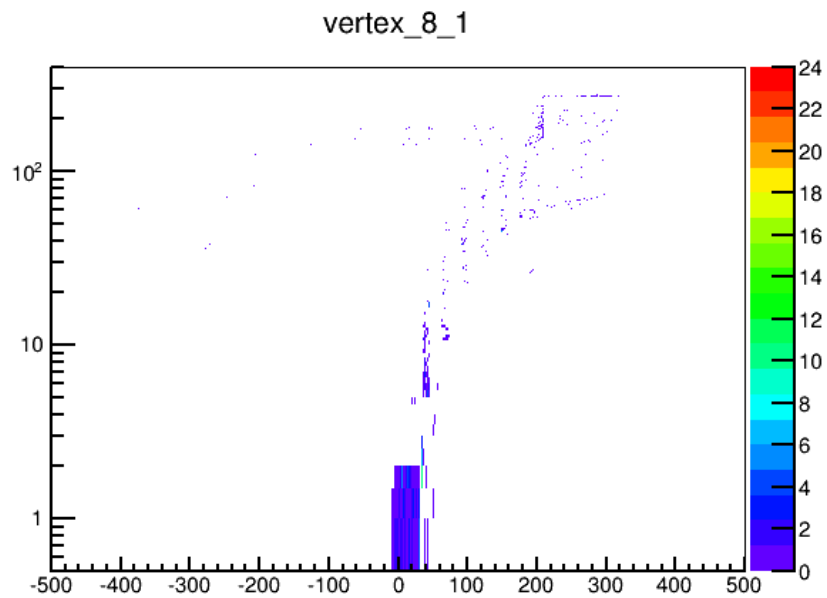
vertexZ\_8\_1



- New 4cm inner radius



- New 6cm inner radius



- Photon flux on EC (ignore 5cm result for now)

